



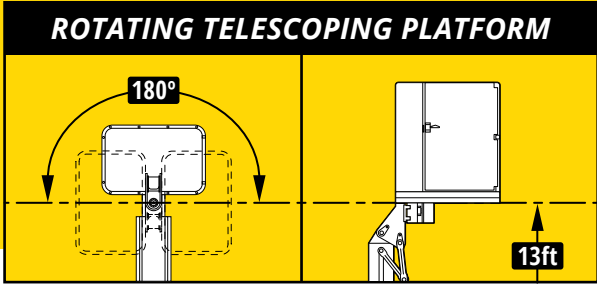
ASPEN A-62 Maximum Scale/Versatility UBIT

The ultimate choice in versatility and reach in a large-scale crane



Innovative Under-Bridge Utility Solutions

A State of the Art Maximum Scale Bridge Inspection Unit incorporating an automatic leveling system, counterweight stabilizers, a graphical interface terminal, and a 62 foot under-bridge reach.



- 2 ROTATING TURNTABLES
- TELESCOPING 3rd & 4th BOOMS
- SLIDING COUNTERWEIGHTS
- NO OUTRIGGERS REQUIRED



UTILITY INSTALLATION

After installing over 500,000 linear feet of utilities under virtually every profile of bridge, we fully understand the associated challenges. We would love to assist on your next project and help make it go as smooth as possible.

BRIDGE INSPECTION

Bridge Masters Inc. has over two decades of hands-on experience in this specialized field. Through the years we have been vigorously perfecting our methods and machines. Allow us to help you benefit from these refinements.

➤ Increase Productivity

➤ Conserve Corporate Resources

➤ Get Answers from Master Bridge Technicians

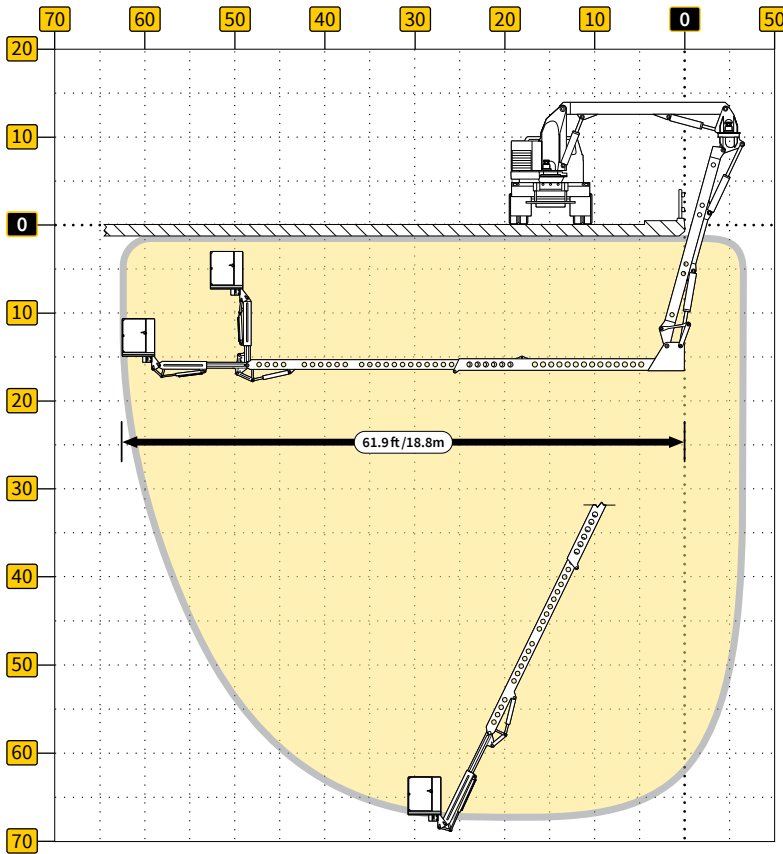
ASPEN A-62 Maximum Scale/Versatility UBIT

The ultimate choice in versatility and reach in a large-scale crane

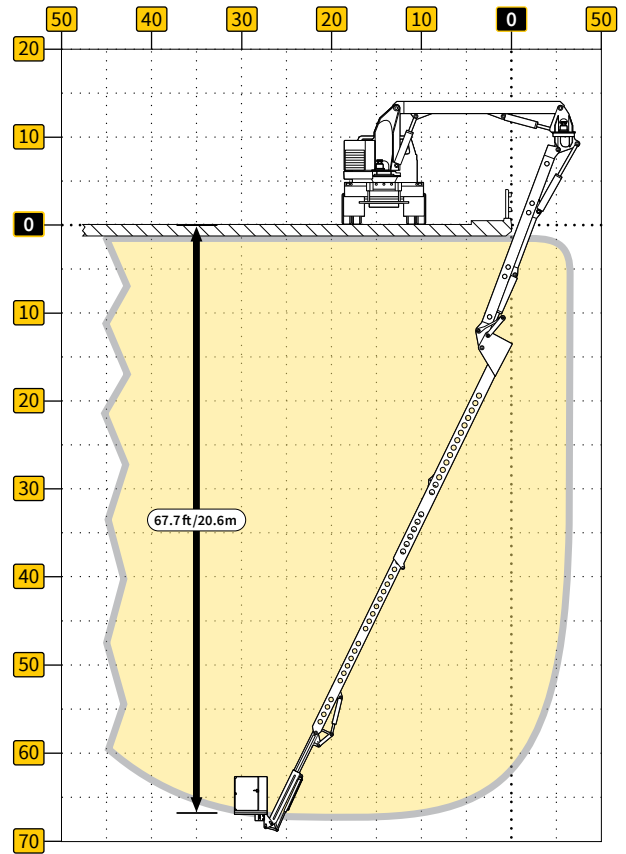
SPECIFICATIONS

PLATFORM SPECS		MAXIMUM REACH		ft/m	VEHICLE INFO
Dimensions	40" x 60" x 42" tall 101 x 152 x 106 cm	Under Reach	over handrail (42" height)	61.9/18.8	For more specific vehicle options, capabilities, and dimensions please contact one of our specialists at: Todd@bridgemastersinc.com or call 1.888.851.0744
Working Payload	600 lb/272 kg	Down Reach	from level surface	71/21.6	
		Down Reach	from handrail	67.7/20.6	

Max Horizontal Reach Under Bridge



Max Vertical Reach Below Bridge



STABILIZATION

The advanced counterweight system automatically deploys to the opposite side of the extended crane during operation, and eliminates the need for outriggers.

ADVANCED CONTROL SYSTEM

The microprocessor control system graphically displays unit operation, performance, and parameters, with wireless controls located at two stations.

ON-BOARD FEATURES

An on-board generator and compressor provide a platform-accessed electrical outlet, heaters, floodlights, a remote control, a 12-volt intercom, and air lines.

