



THE BRIDGEWALKER TYPE II

A Versatile Medium-scale Trailer-mounted UBIT with Maximum Load Capacity



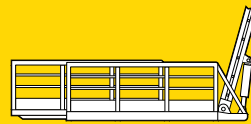
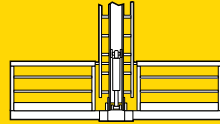
**Innovative
Under-Bridge
Utility
Solutions**

INSTALLATION

INSPECTION

The Bridgewalker Type 2 is designed for heavy work use. The goose-neck trailer mount allows for larger baskets and ladder assemblies, and it has a basket capacity of 750 lbs.

SIDE-BY-SIDE OR EXTENDABLE BASKET



- **UP TO 12 FOOT UNDER THE BRIDGE**
- **UP TO 16 FOOT BELOW BRIDGE HANDRAIL**
- **DUAL CONTROLS - ON TRAILER AND IN BASKET**



UTILITY INSTALLATION

After installing over 500,000 linear feet of utilities under virtually every profile of bridge, we fully understand the associated challenges. We would love to assist on your next project and help make it go as smooth as possible.

BRIDGE INSPECTION

Bridge Masters Inc. has over 2 decades of hands-on experience in this specialized field. Through these years we have been vigorously perfecting our methods and machines. Allow us to help you benefit from these refinements.

➤ **Increase Productivity**

➤ **Conserve Corporate Resources**

➤ **Get Answers from Master Bridge Technicians**

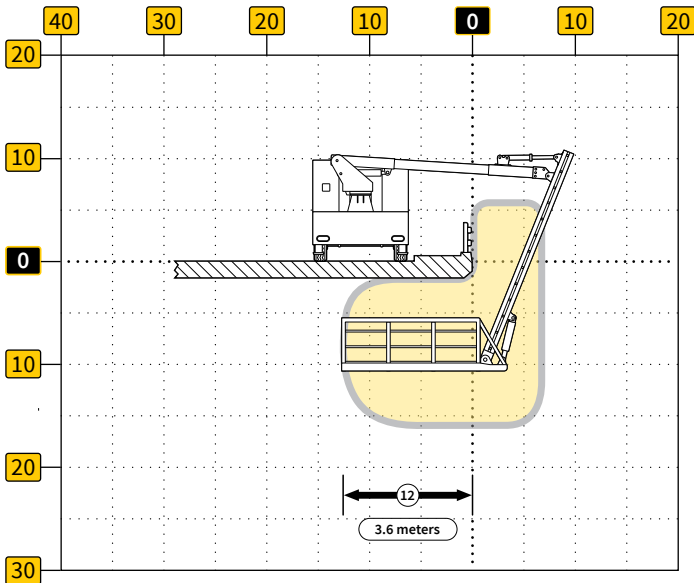
THE BRIDGEWALKER TYPE II

A Versatile Medium-scale Trailer-mounted UBIT with Maximum Load Capacity

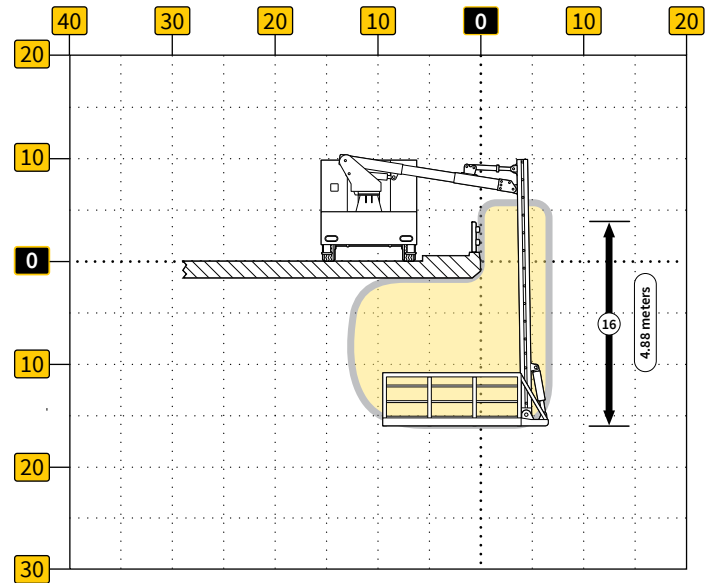
SPECIFICATIONS

OPERATING SPECS		MAXIMUM REACH		VEHICLE INFO	
Working Surface <i>(Inspection basket)</i>	92" x 36" x 42" 234 x 91 x 107cm	Under Reach	from handrail (42" height)	12/3.6	For more specific vehicle options, capabilities, and dimensions please contact one of our specialists at: Todd@bridgemastersinc.com or call 1.888.851.0744
Working Payload	750 lb/340 kg	Down Reach	from level surface	12.5/3.8	
Vehicle Weight	18K lb/8164 kg	Down Reach	from handrail (42" height)	16/4.88	

Max Horizontal Reach Under Bridge



Max Vertical Reach Below Bridge



INTEGRATED TOOL TRAILER

The Bridgewalker Type II incorporates a gooseneck trailer with a two-level safety deck. There is fore and aft tool storage, engineered for quick and efficient access. Safety stairs are located on either sides of the main deck for optional lane staging positions. Includes built-in auxiliary compressors.

EXCLUSIVE PATENTED SYSTEM

Our Bridgewalker Type II was developed and patented by Bridge Master Inc. It was designed to offer the latest operational safety features, and support a significant payload to increase project efficiency. This advantage allows more personnel, equipment, and materials at hand, to save time and money.

SAFETY AND EFFICIENCY

The focus of the Bridgewalker Type II design is to increase work efficiency and safety while engaged in bridge utility and inspection. The long-term experience of our team has led to the development of many of these hybrid features, and cannot not be found on any other competing units.

