



# ASPEN B-32

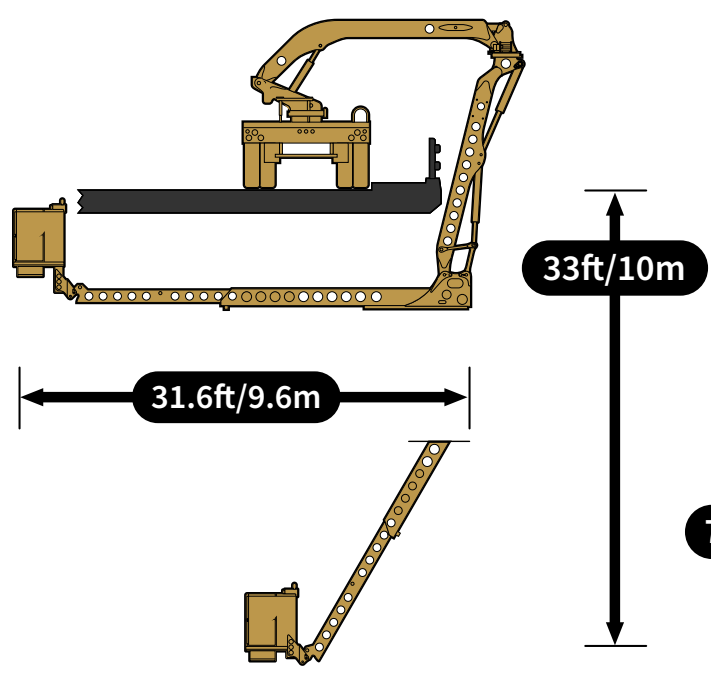
MEDIUM SCALE UBIT



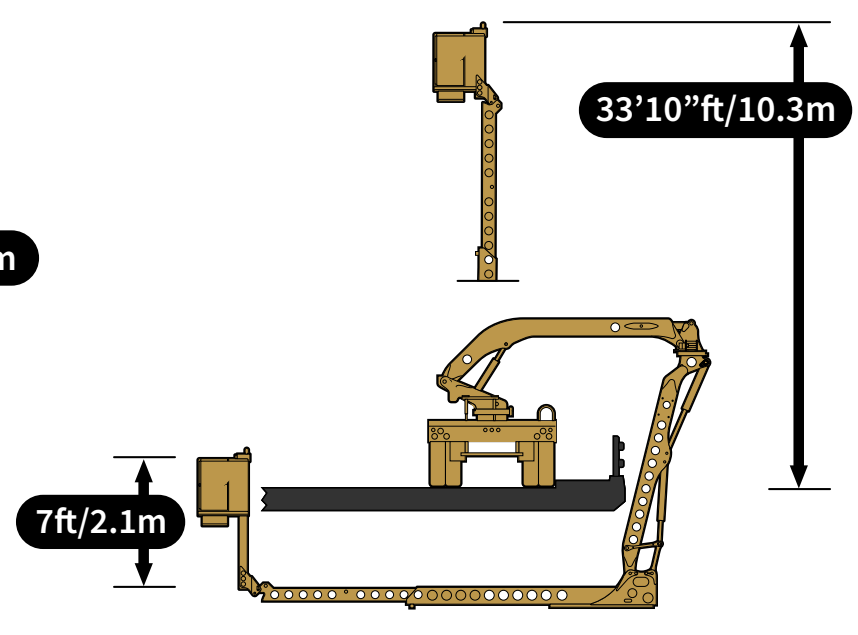
**SCREEN DISPLAY FOR PERFORMANCE AND PARAMETER REVIEW**  
**SLIDING COUNTERWEIGHT, NO OUTRIGGERS NEEDED**  
**VERTICAL REACH OF 33 FEET**  
**7FT PLATFORM EXTENSION, 180° ROTATING PLATFORM**  
**TELESCOPING THIRD BOOM WITH 2 ROTATING TURRETS**



## MAX HORIZONTAL AND VERTICAL REACH



## MAXIMUM OVERHEAD REACH



**MAX HORIZONTAL REACH: 31.6 ft/9.6 m**  
**VERTICAL REACH FROM SURFACE: 33 ft/10 m**  
**VERTICAL REACH FROM 42" HANDRAIL: 36.5 ft/11 m**

**MACHINE DIMENSIONS: 32 ft x 8.5 ft / 9.8 m x 2.6 m**  
**BASKET DIMENSIONS: 54 x 42 x 38" / 137 x 107 x 97 cm**  
**BASKET CAPACITY: 600 lb/272 kg**

## VERTICALLY EXTENDING ARM

