



BRIDGEWALKER™ TYPE I

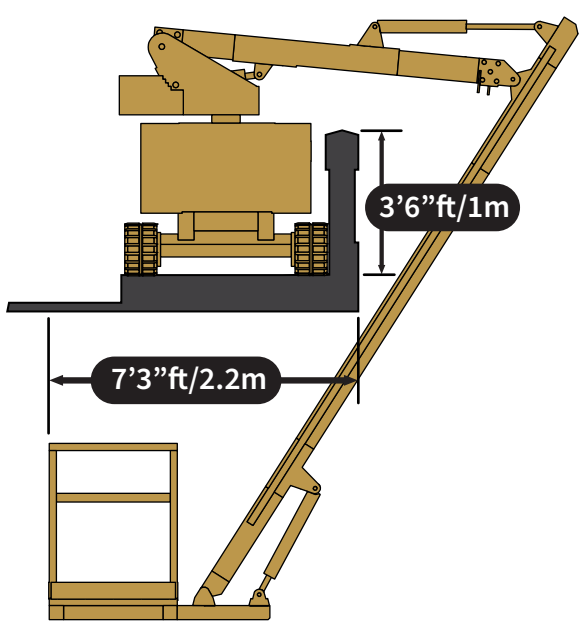
INNOVATIVE PATENT PENDING UNDER BRIDGE UNIT



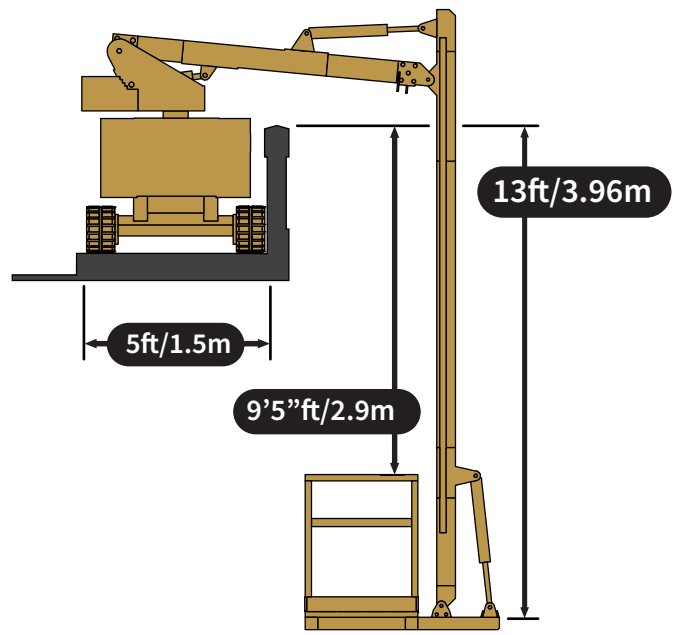
- EASY TO OPERATE WITH REMOTE CONTROL CAPABILITY
- NONVERBAL SAFETY INDICATOR LIGHTS
- ONLY 5 FEET WIDE
- NON-MARKING TRACKS
- SELF PROPELLED



MAX HORIZONTAL REACH

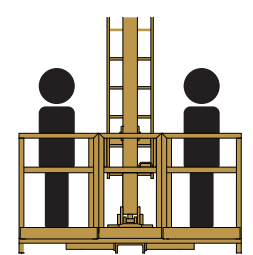


MAX VERTICAL REACH



HORIZONTAL REACH: 7.3 ft / 2.2 m
 VERTICAL REACH FROM SURFACE: 9.5 ft / 2.9 m
 VERTICAL REACH FROM 42" HANDRAIL: 13 ft / 3.96 m

MACHINE DIMENSIONS: 90 x 60" / 228 x 152 cm
 BASKET DIMENSIONS: 88 x 32 x 43.375" / 224 x 81 x 110 cm
 BASKET CAPACITY: 600 lbs / 276 kg



TWO MAN BASKET