



# BRIDGEWALKER™ TYPE II

INNOVATIVE PATENTED UNDER BRIDGE UNIT

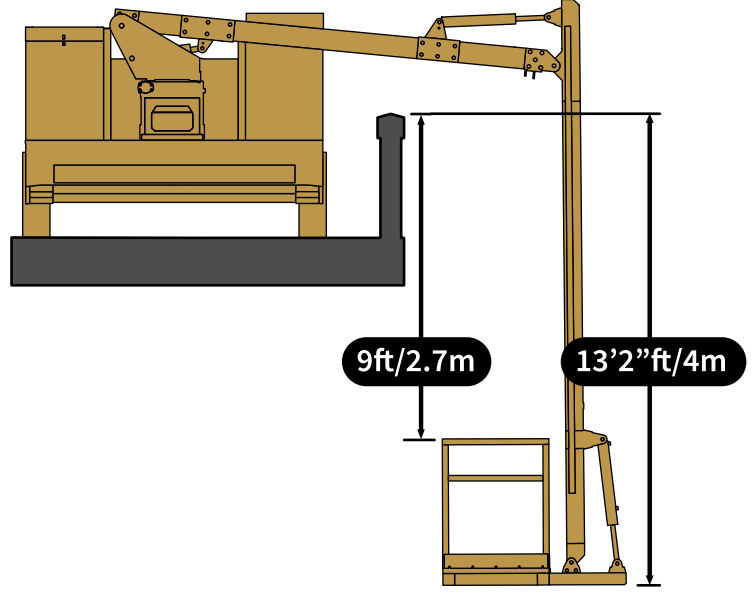
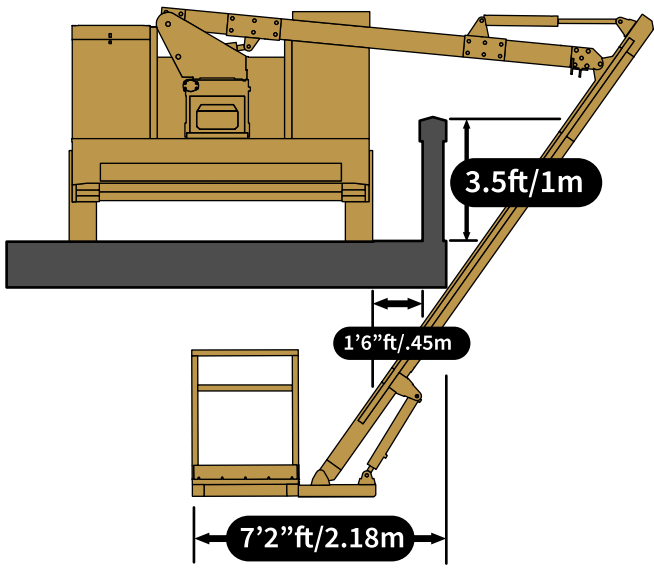


- EASY TO OPERATE
- NO CDL REQUIRED - 9,999lbs/4535kg GVWR
- SECURE TOOL STORAGE AND AMPLE WORKSPACE
- REMOTE CONTROL CAPABILITY
- NONVERBAL SAFETY INDICATOR LIGHTS



## MAX HORIZONTAL REACH

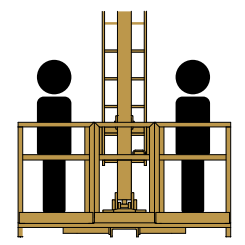
## MAX VERTICAL REACH



MAXIMUM HORIZONTAL REACH: 7 ft/2.1 m  
 MAXIMUM VERTICAL REACH FROM 42" HANDRAIL: 12 ft/3.6 m

TRAILER DIMENSIONS: 30 ft x 8.5 ft / 9.1 m x 2.6 m  
 TRAILER WEIGHT: 7,500 lbs/3400 kg

BASKET DIMENSIONS: 88 x 32 x 44" / 223.5 x 81.3 x 110 cm  
 MAXIMUM BASKET CAPACITY: 600 lbs/272 kg



TWO MAN BASKET